

### FEATURES

- RJ45 keystone for CAT 5e telephone or CAT 6a data transmission (references 8300046 and 8300047, respectively). Each reference includes one unit.
- Available colours, please refer to: <https://www.zennio.com/finishes>
- Flush fitting with ZS55/ZS70 series 1 to 4-gang frames (sold separately)
- The RJ45 two-insert support is sold separately (reference 8300037)
- The use of fixing clamps is optional. This reference is sold separately (reference ZACZSCLA)
- Dimensions:
  - ZS55: 55.5 x 55.5 x 43.6 mm
  - ZS70: 70.0 x 70.0 x 43.6 mm
- Low profile: it protrudes 9.5 mm from the wall
- Flush-mounted installation

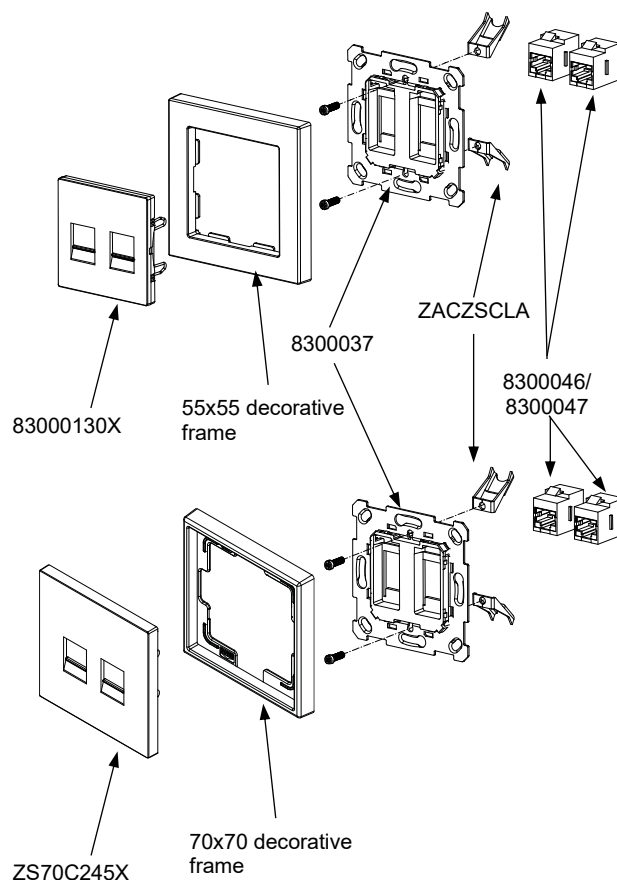


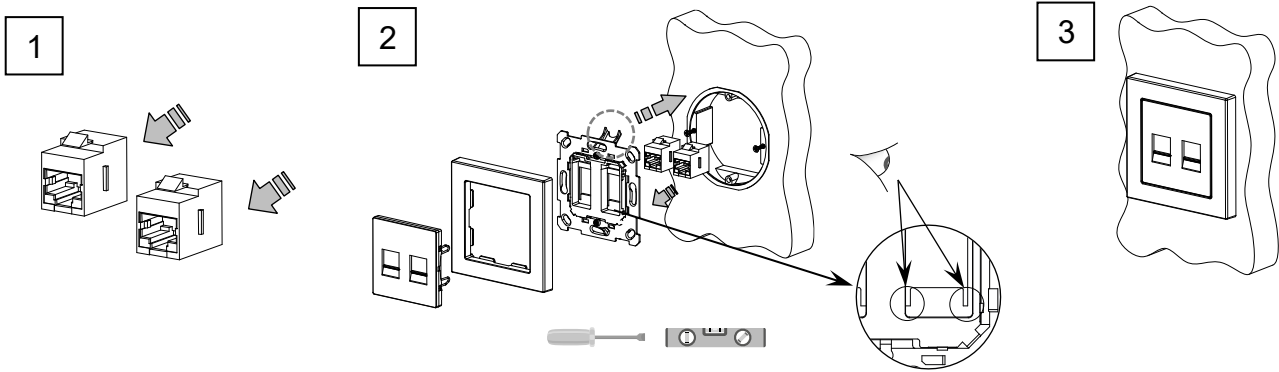
Figure 1. Double RJ45 outlet

GENERAL SPECIFICATIONS	
CONCEPT	DESCRIPTION
Operation temperature	0 .. +40 °C
Storage temperature	-20 .. +55 °C
Operation humidity	5 .. 95% RH
Storage humidity	5 .. 95% RH
Degree of protection	IP20, clean environment
Installation	Independent device to be installed in back boxes
Weight	36.9 g
Housing material	PC+ABS FR V0 halogen free

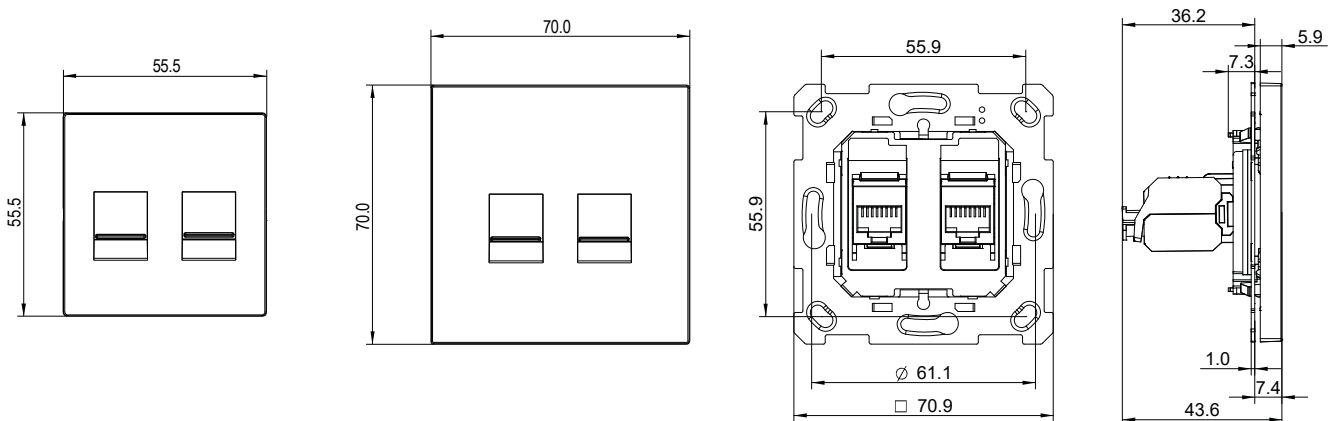
## INSTALLATION INSTRUCTIONS

1. Prepare the cables and crimp each wire according to the colours shown on the outlets. EIA/TIA-568-A or B connections are possible. Close the flip tops.
2. Insert the RJ45 keystone into the support piece by first introducing the rigid clips on the lower part where the two grooves are located (see detail image), and then tilting up the keystone to insert the flexible clip on the upper part. Fix the fixing plate to a square or round flush back box by using the screws from the box (fixing clamps can optionally be used). Check that the plate is correctly levelled.
3. Fix the decorative frame and the cover into their final position.

To remove it, proceed the reverse way.



## DIMENSIONS (mm)



## SAFETY INSTRUCTIONS AND ADDITIONAL NOTES

- Installation should only be performed by qualified professionals according to the laws and regulations applicable in each country.
- Keep the device away from water (condensation over the device included) and do not cover it with clothes, paper or any other material while in use.



- The WEEE logo means that this device contains electronic parts and it must be properly disposed of by following the instructions at <https://www.zennio.com/en/legal/weee-regulation>.