

FEATURES

- Blind cover (reference 83000280X)
- Available colours, please refer to: <https://www.zennio.com/finishes>
- Flush fitting with ZS55/ZS70 series 1 to 4-gang frames (sold separately)
- The metallic plate is not included (ref. 8300035)
- The use of fixing clamps is optional. This reference is sold separately (reference ZACZSCLA)
- Dimensions:
 - ZS55: 55.5 x 55.5 x 16,9 mm
 - ZS70: 70.0 x 70.0 x 16,9 mm
- Low profile: it protrudes 9.5 mm from the wall
- Flush-mounted installation

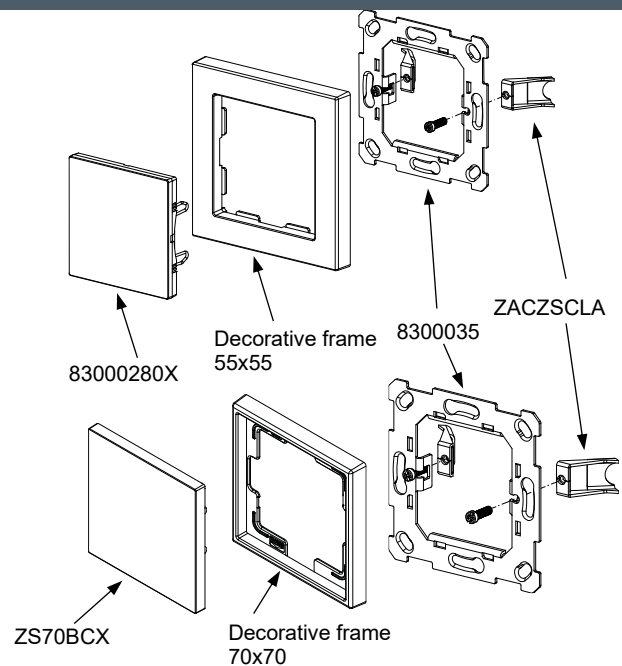


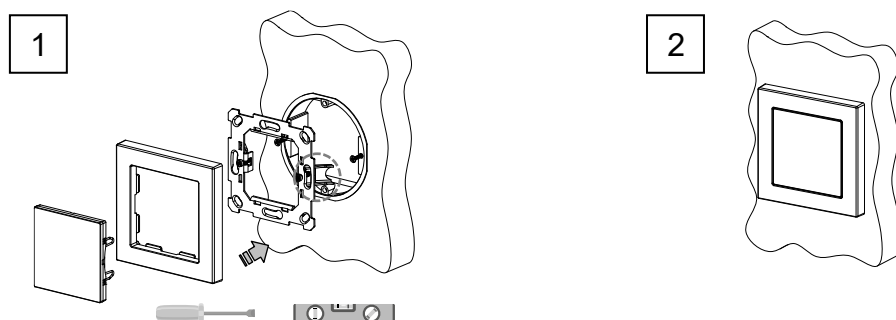
Figure 1. Blind panel.

GENERAL SPECIFICATIONS	
CONCEPT	DESCRIPTION
Operation temperature	0 .. +40 °C
Storage temperature	-20 .. +55 °C
Operation humidity	5 .. 95% RH
Storage humidity	5 .. 95% RH
Degree of protection	IP20, clean environment
Installation	Independent device to be installed in back boxes.
Weight	29 g
Housing material	PC+ABS FR V0 halogen free

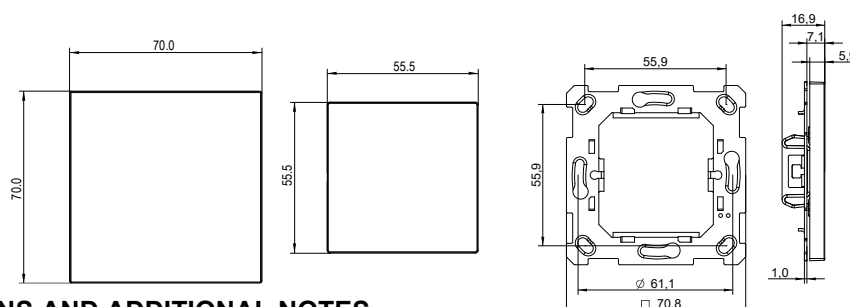
INSTALLATION INSTRUCTIONS

1. Fix the metallic plate to a square or round flush back box, by using the screws from the back box (fixing clamps can optionally be used). Check that the plate is correctly levelled.
2. Fix the frame and blind panel to the fixing plate by using the clips.

To remove it, proceed the reverse way.



DIMENSIONS (mm)



SAFETY INSTRUCTIONS AND ADDITIONAL NOTES

- Installation should only be performed by qualified professionals according to the laws and regulations applicable in each country.