

FEATURES

- Frames for Zennio ZS55 series of switches and sockets.
- Decorative frames with 1 to 4 modules (reference 980000Y0X, where Y = number of modules, X = colour).
- Available colours:
 - Anthracite (X=5)
 - Silver (X=6)
 - White (X=7)
 - Gloss white (X=8)
- Low profile: it protrudes 9.5 mm from the wall.
- Material: PC+ABS FR V0 halogen free.

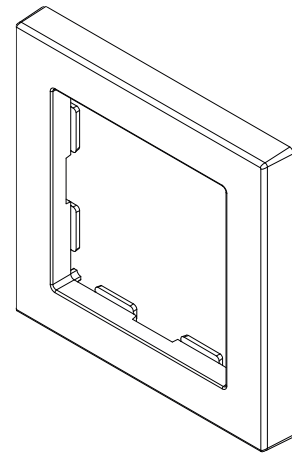


Figure 1. One-module frame

DIMENSIONS (MM)

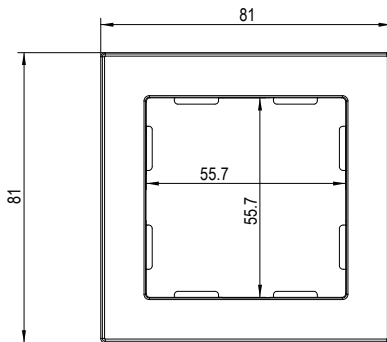


Figure 2. 9800010X

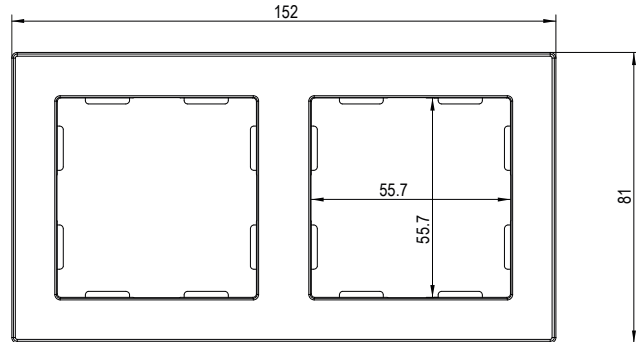


Figure 3. 9800020X

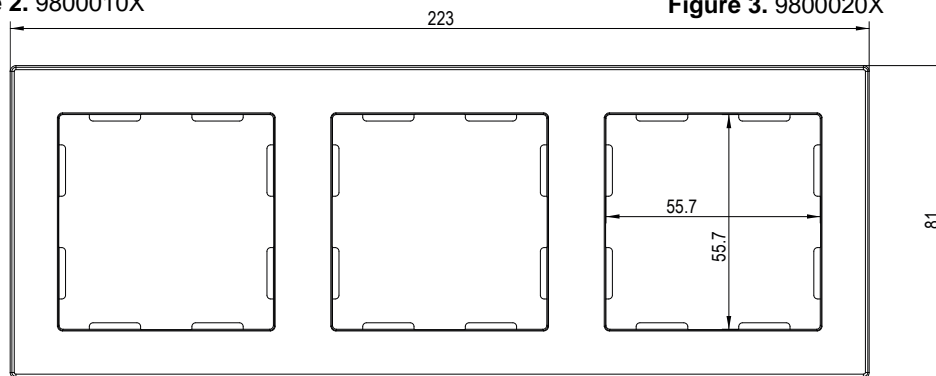


Figure 4. 9800030X

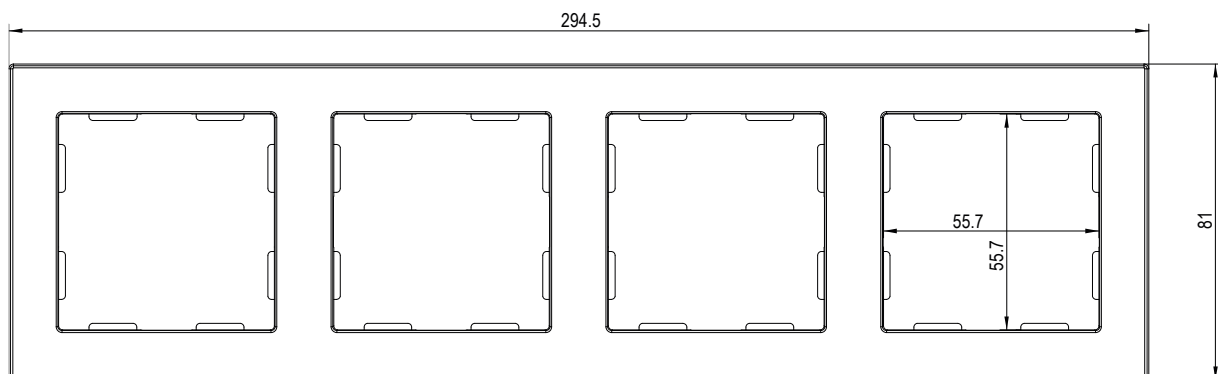


Figure 5. 9800040X



SAFETY INSTRUCTIONS

- Installation should only be performed by qualified professionals according to the laws and regulations applicable in each country.