

FEATURES

- Motion detection through PIR technology
- Detection diameter of up to 6m
- Lighting level sensor with human eye spectral sensitivity
- 6 motion detector channels
- 2 constant light regulation channels
- Occupancy detection
- 10 logic functions
- Total data saving on KNX bus failure
- Integrated KNX BCU
- External dimensions: Ø58 x 41mm
- Internal dimensions: Ø48.3 x 41mm
- Cutting diameter (hole saw blade): Ø51mm
- False-ceiling flush-mounted
- Conformity with the CE directives (CE-mark on the back side)

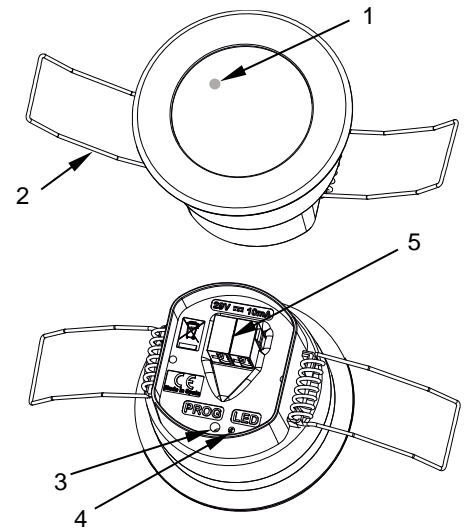


Figure 1: EyeZen TP vT

| | | |
|----------------------------|---------------------|-----------------------|
| 1. Detection LED indicator | 2. Retaining spring | 3. Programming button |
| 4. Programming LED | | 5. KNX connector |

Programming button: short press to set programming mode. If this button is held while plugging the device into the KNX bus, it enters the safe mode.

Programming LED: programming mode indicator (red). When the device enters the safe mode, it blinks (red) every half second. During the start-up (reset or after KNX bus failure) and if the device is not in safe mode, it emits a red flash.

GENERAL SPECIFICATIONS

| CONCEPT | | DESCRIPTION | | |
|-------------------------------|---------------------|---|----|-----|
| Type of device | | Electric operation control device | | |
| KNX supply | Voltage (typical) | 29VDC SELV | | |
| | Voltage range | 21..31VDC | | |
| | Maximum consumption | Voltage | mA | mW |
| | | 29VDC (typical) | 4 | 116 |
| 24VDC ¹ | 10 | 240 | | |
| Connection type | | Typical TP1 bus connector for 0.80mm Ø rigid cable | | |
| External power supply | | Not required | | |
| Operation temperature | | 0°C .. +45°C ² | | |
| Storage temperature | | -20°C .. +55°C | | |
| Operation humidity | | 5 .. 95% | | |
| Storage humidity | | 5 .. 95% | | |
| Complementary characteristics | | Class B | | |
| Protection class | | III | | |
| Operation type | | Continuous operation | | |
| Device action type | | Type 1 | | |
| Electrical stress period | | Long | | |
| Degree of protection | | IP20, clean environment | | |
| Installation | | Flush-mounted in false ceiling | | |
| Minimum clearances | | Not required | | |
| Response on KNX bus failure | | Data saving according to parameterization | | |
| Response on KNX bus restart | | Data recovery according to parameterization | | |
| Operation indicator | | The programming LED indicates programming mode (red). The motion sensor initialization, after powering up the device, is indicated through the detection LED (red blinking). The motion detections are indicated by a red flash (in case the LED is enabled). | | |
| Weight | | 39g | | |
| PCB CTI index | | 175V | | |
| Housing material | | PC/ABS FR V0 halogen free housing and HDPE lens. | | |

¹ Maximum consumption in the worst-case scenario (KNX Fan-In model).

² Temperatures over 35°C could decrease the detection range

INSTALLATION INSTRUCTIONS

1. Make a $\varnothing 51\text{mm}$ hole on the ceiling.
2. Recover the wiring and connect it to the device.
3. Insert the device into the ceiling hole and allow the retaining springs to close.
4. Fix it, paying attention that it is correctly leveled and oriented, and remove the protective plastic film from the lens.

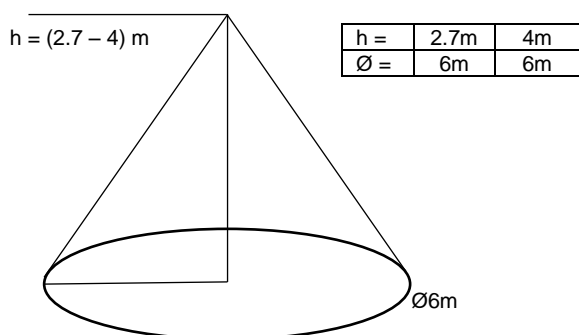
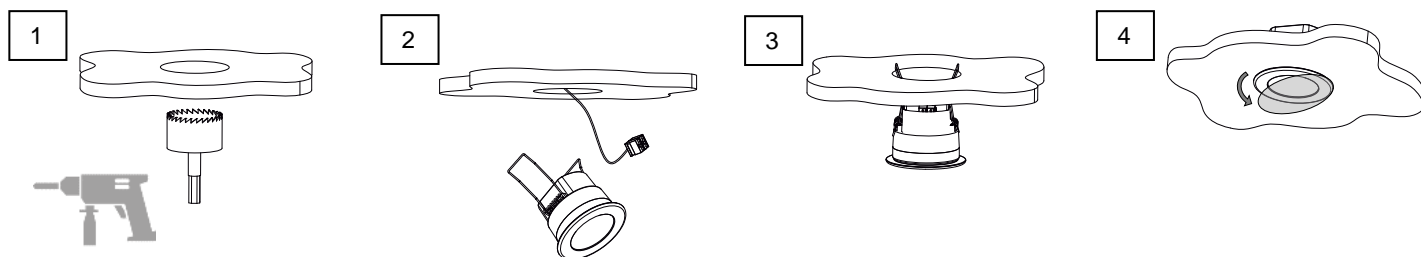


Figure 2: Motion detection range

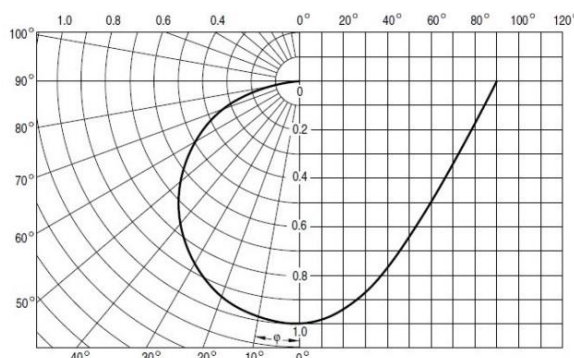
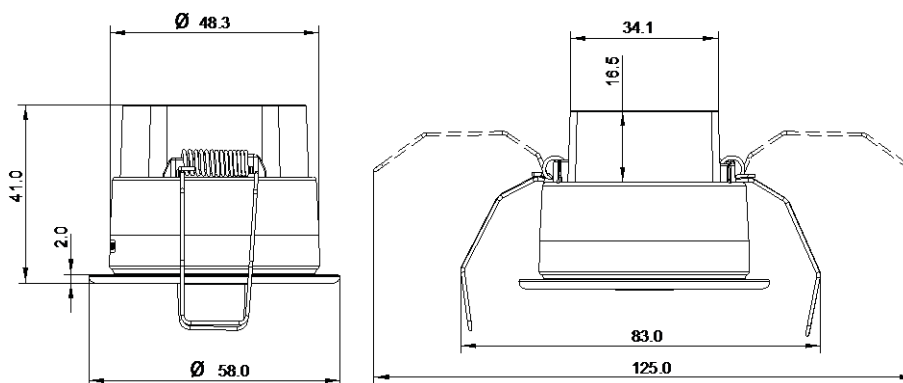


Figure 3: Lighting level sensor sensitivity according to light angle

DIMENSIONS (mm)



SAFETY INSTRUCTIONS AND ADDITIONAL NOTES

- Installation should only be performed by qualified professionals according to the laws and regulations applicable in each country.
- Do not connect the mains voltage nor any other external voltage to any point of the KNX bus; it would represent a risk for the entire KNX system. The facility must have enough insulation between the mains (or auxiliary) voltage and the KNX bus or the wires of other accessories, in case of being installed.
- Keep the device away from water (condensation over the device included) and do not cover it with clothes, paper or any other material while in use.
- The WEEE logo means that this device contains electronic parts and it must be properly disposed of by following the instructions at <https://www.zennio.com/en/legal/weee-regulation>.
- This device contains software subject to specific licences. For details, please refer to <http://zennio.com/licenses>.