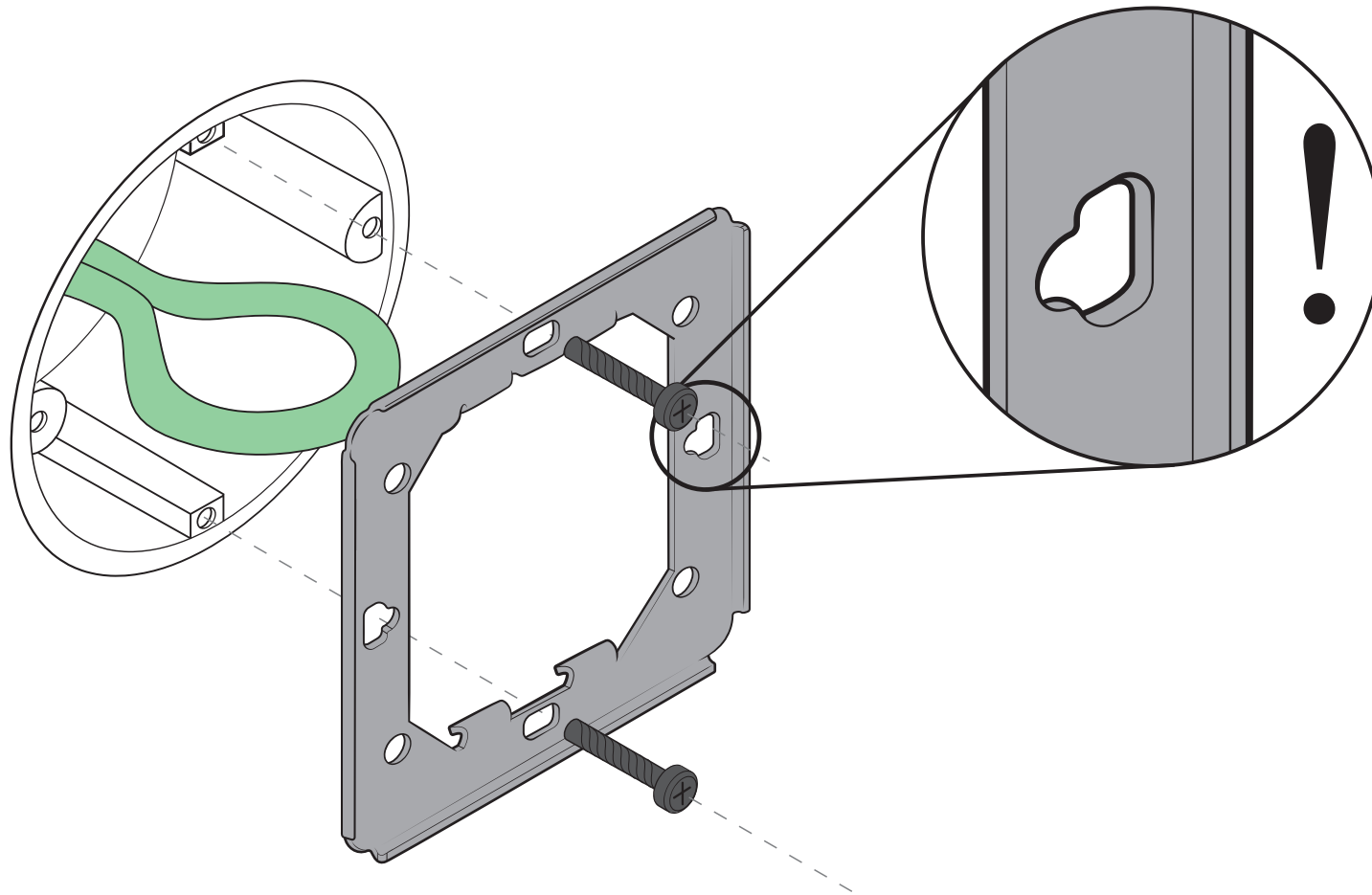
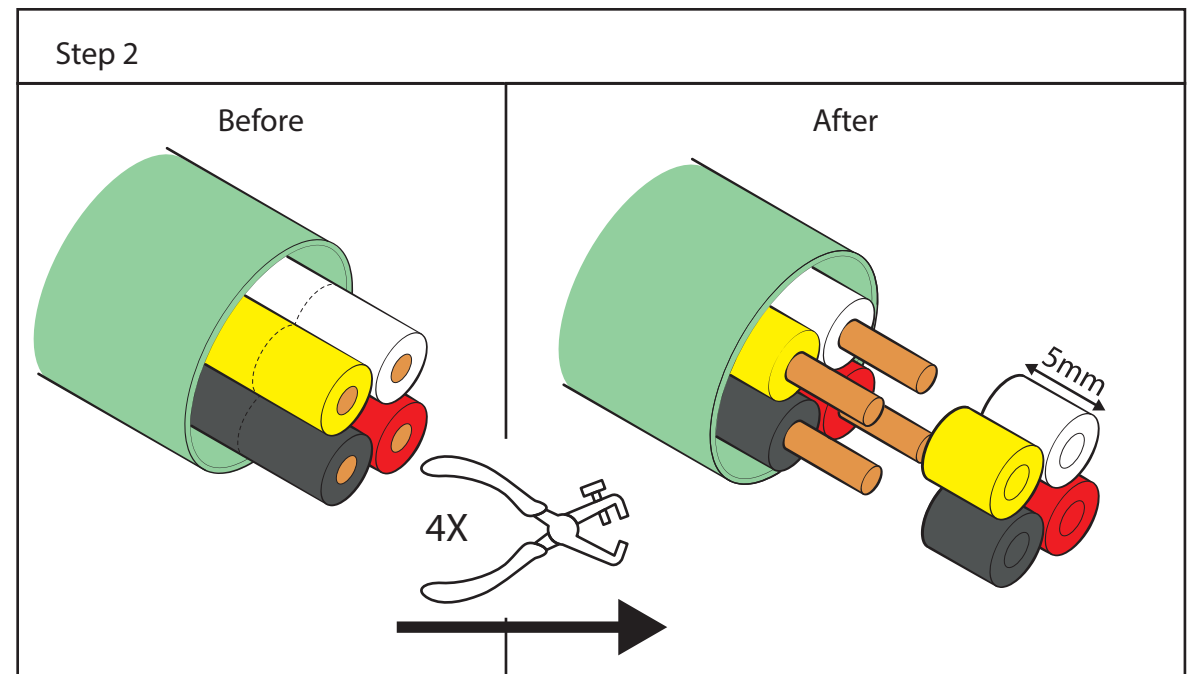
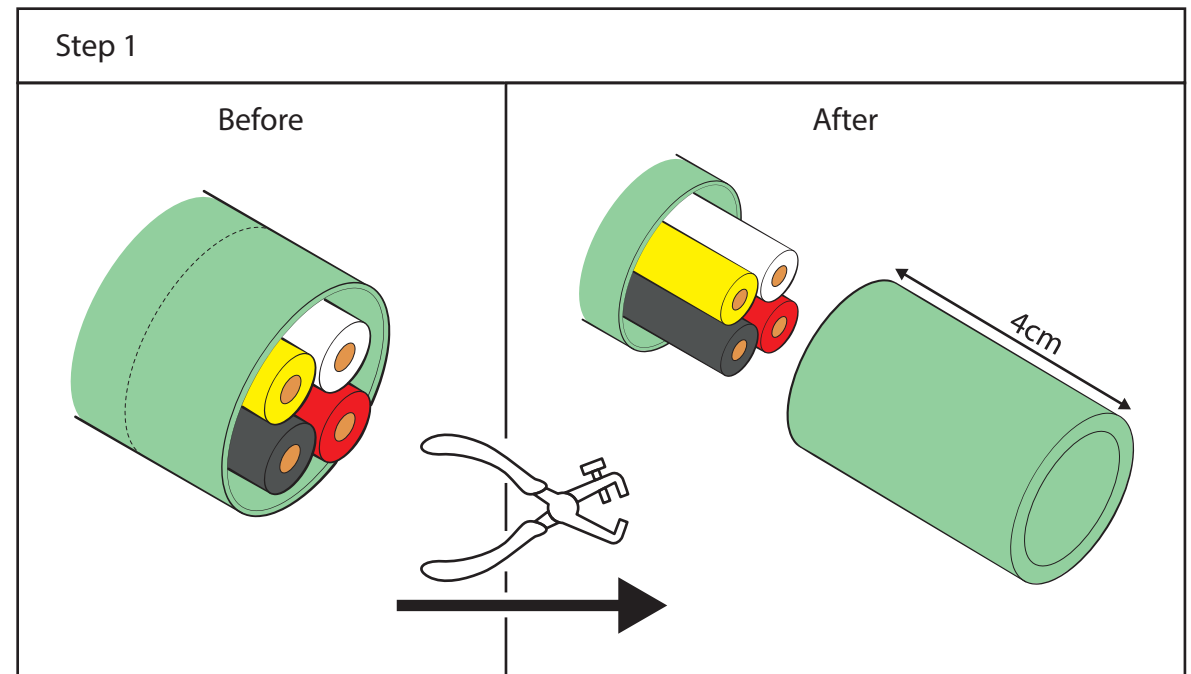
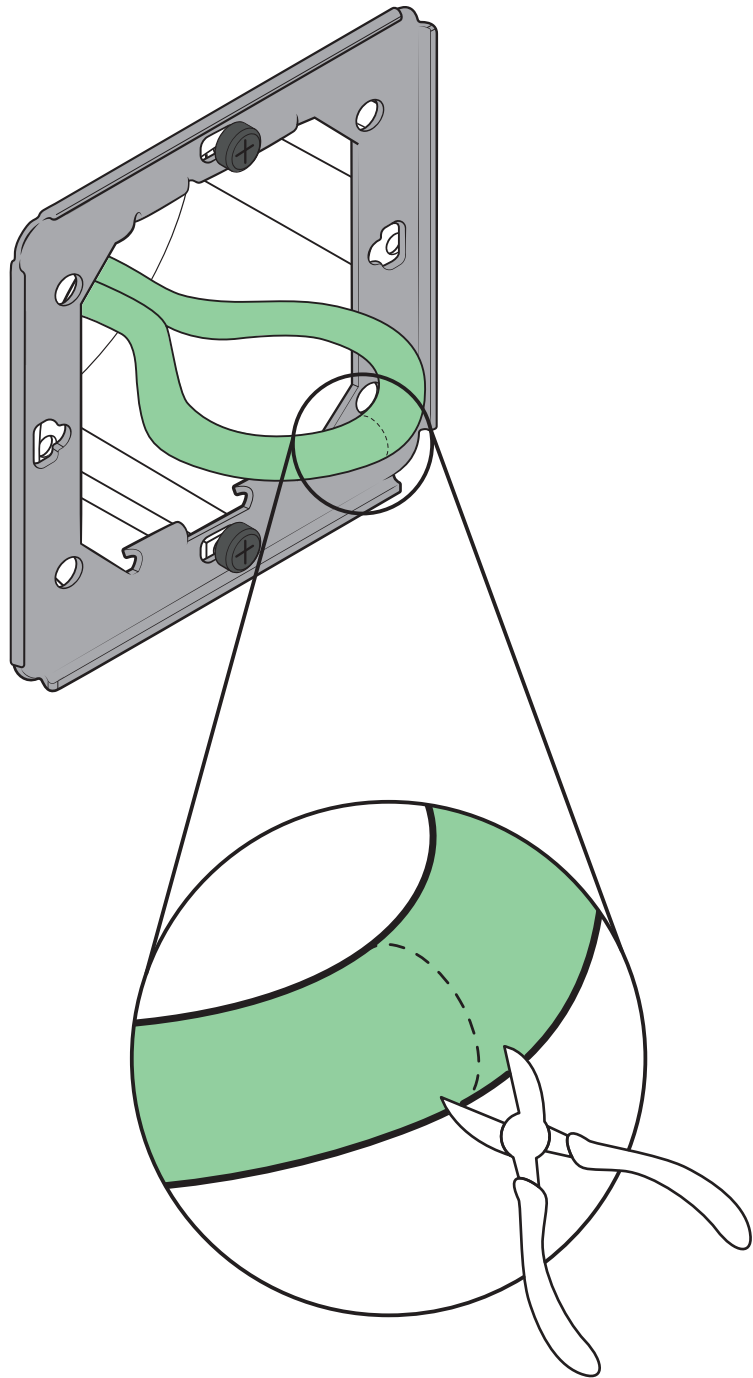


# Manual KNX

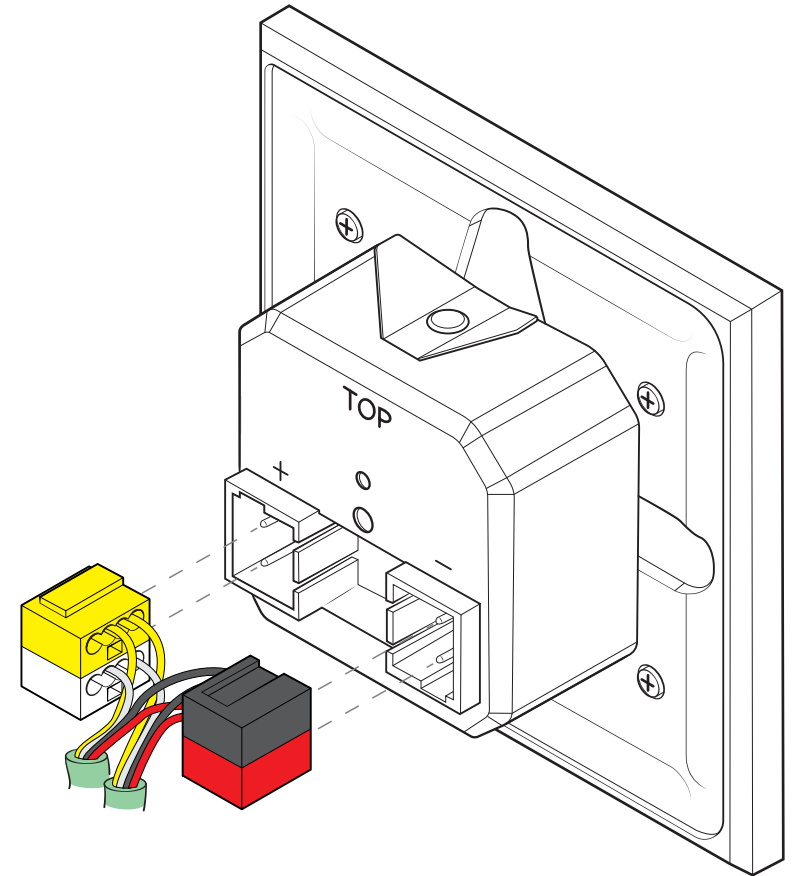
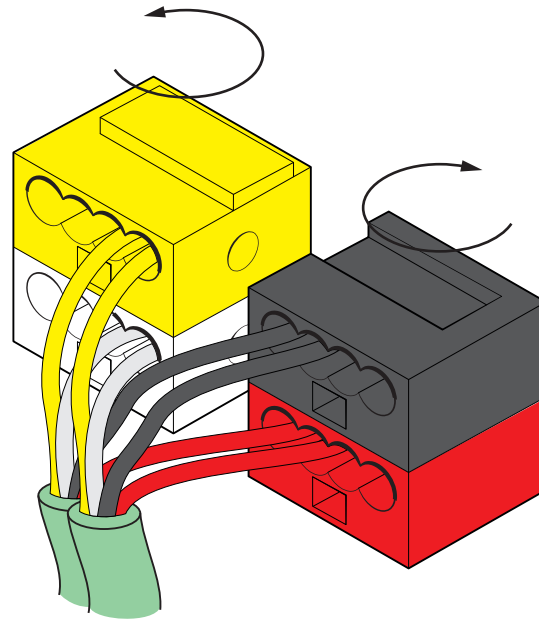
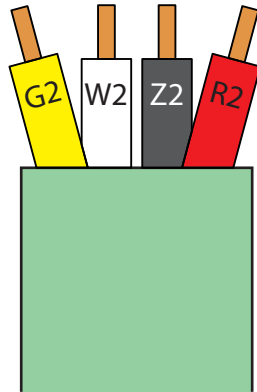
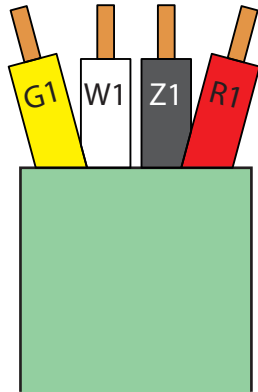
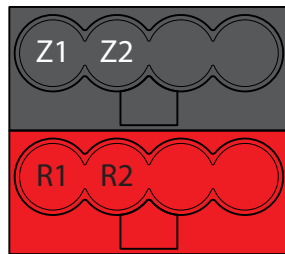
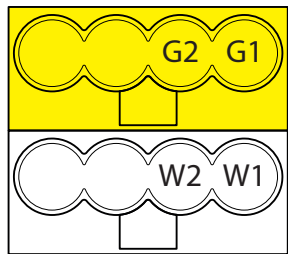
Step 1: attach the metal bracket to the wall socket



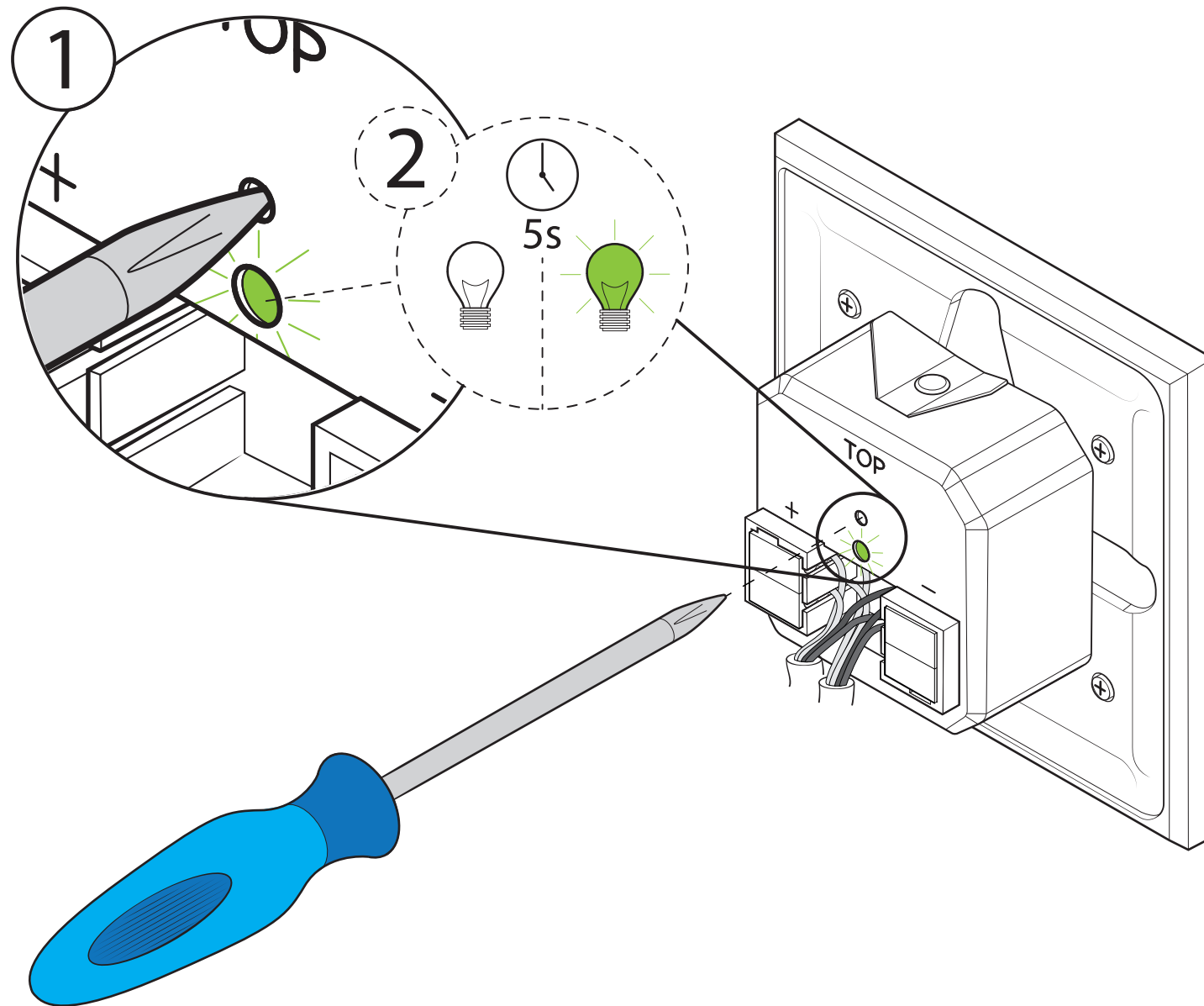
## Step 2: strip the knx cable



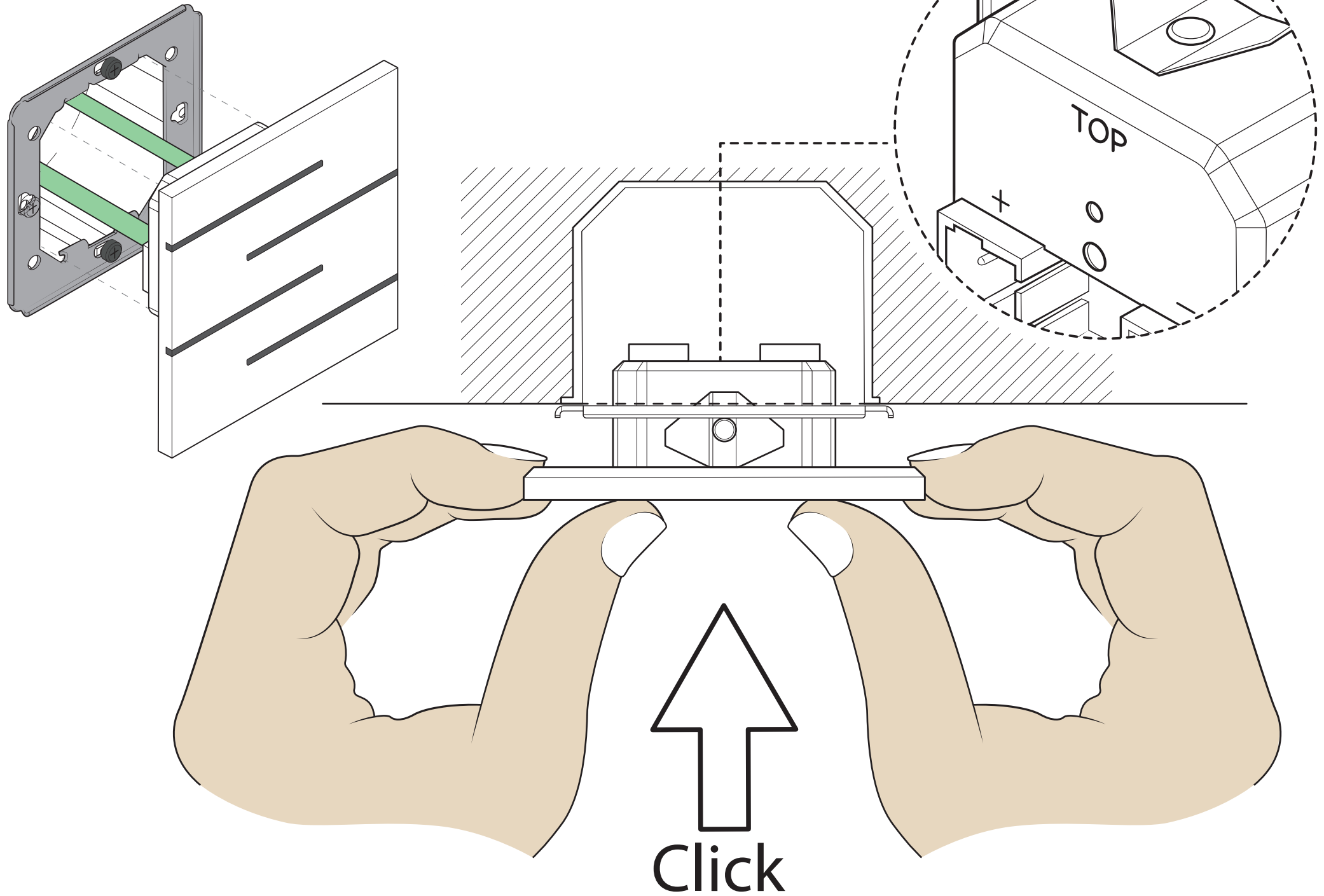
Step 3: Attach the cable to the knx connector in the correct position.



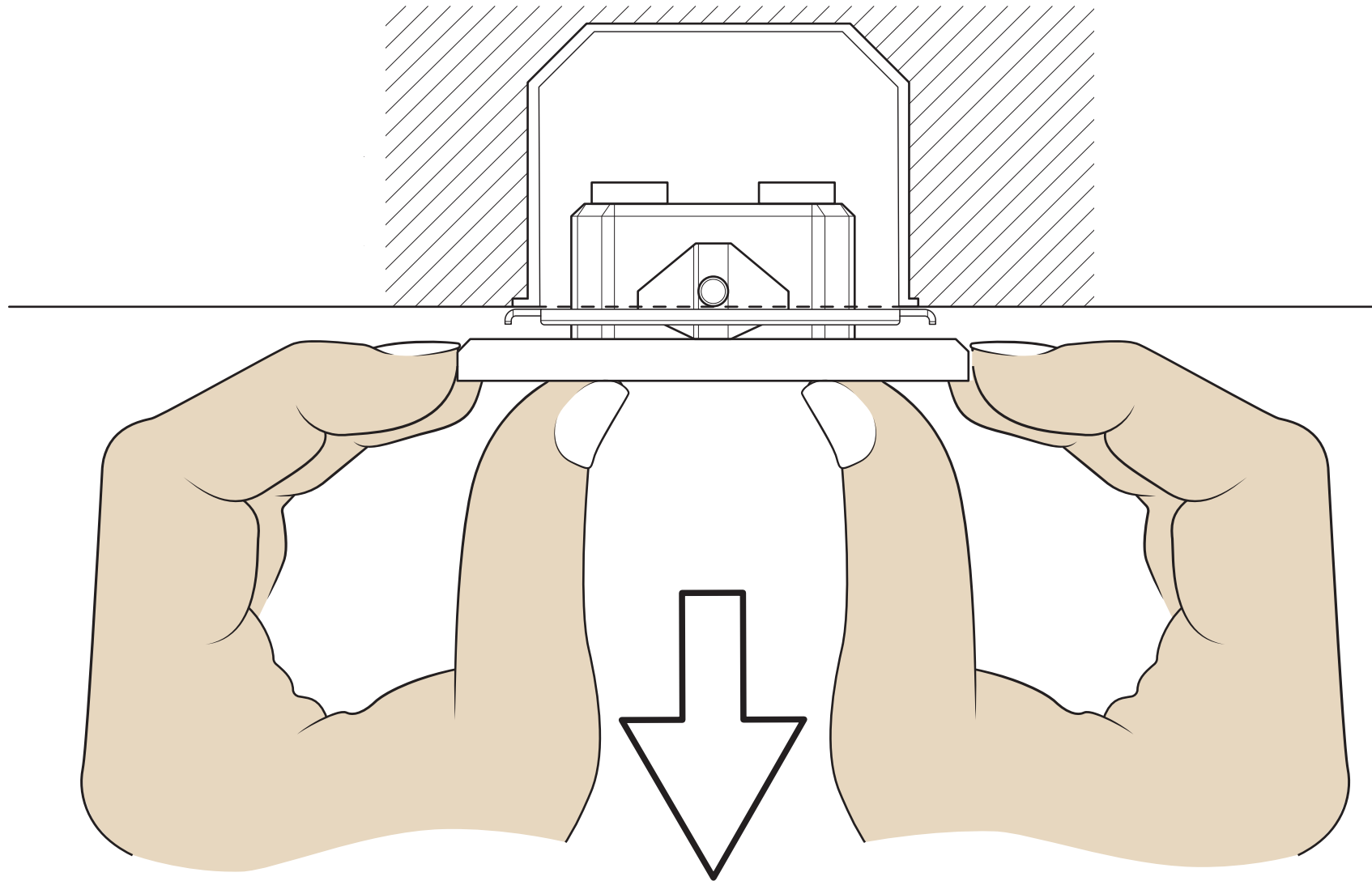
## Step 4: program the switch



Step 5: attach the switch to the metal bracket



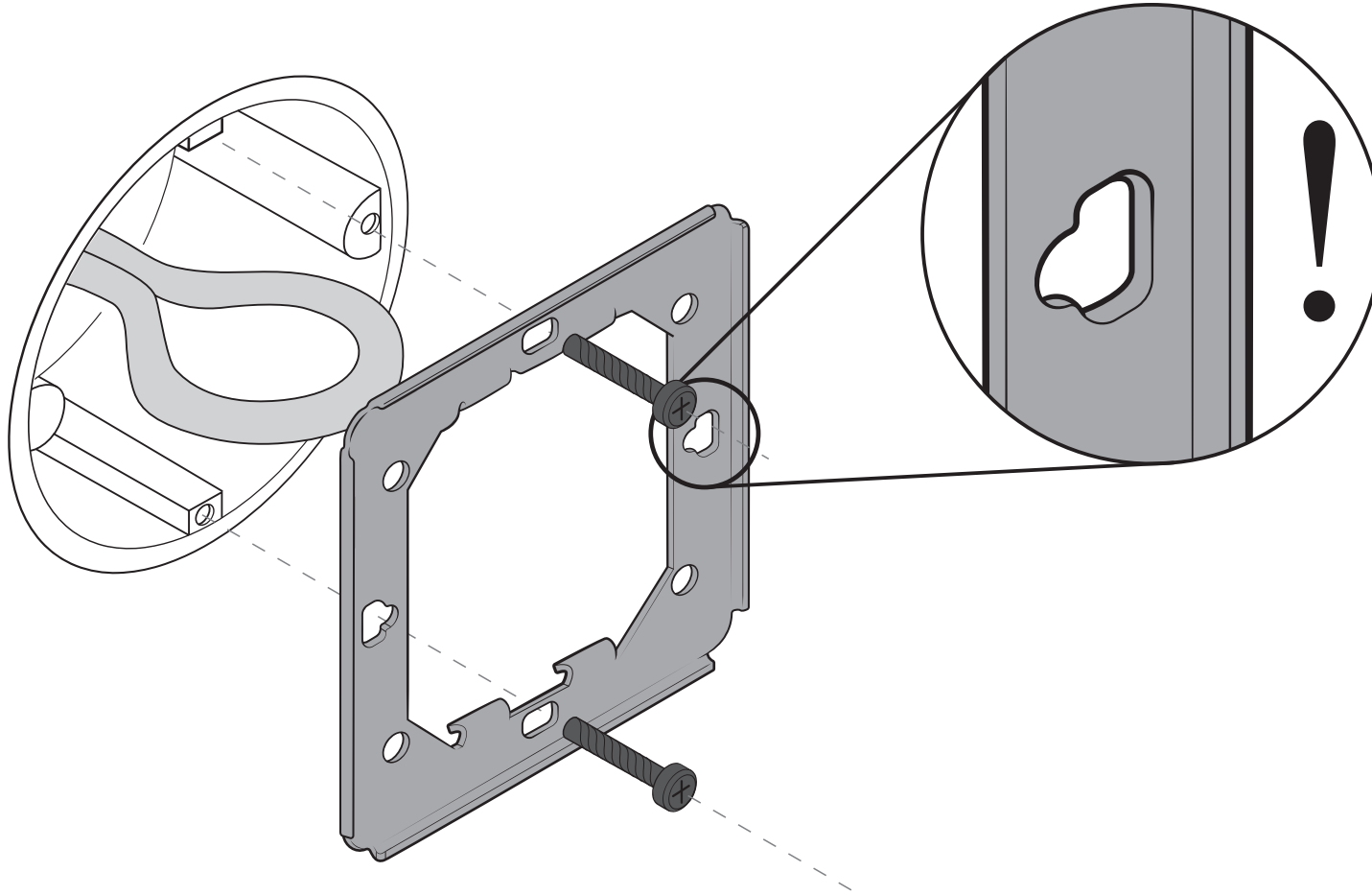
Step 6: remove the switch from the metal bracket



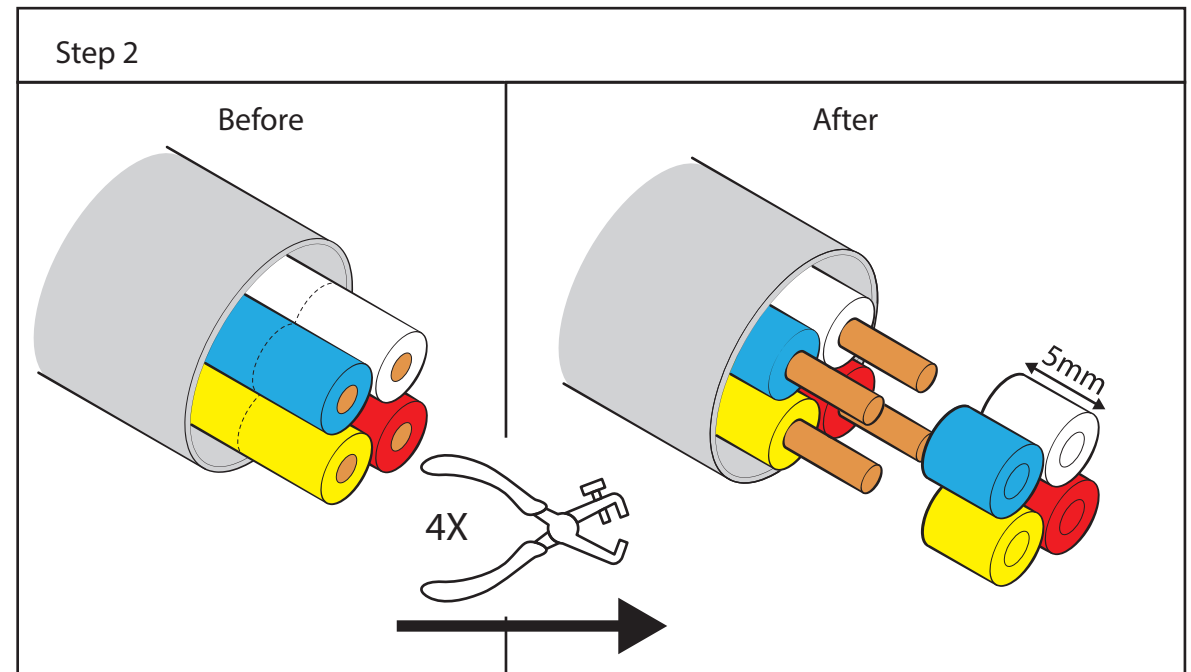
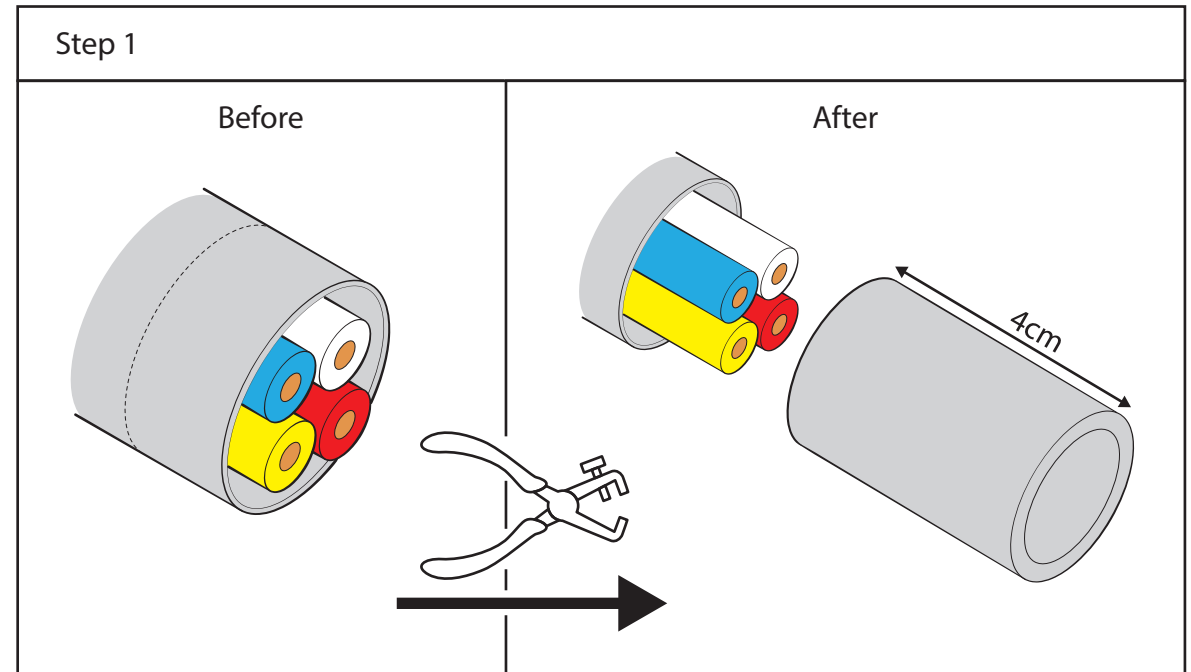
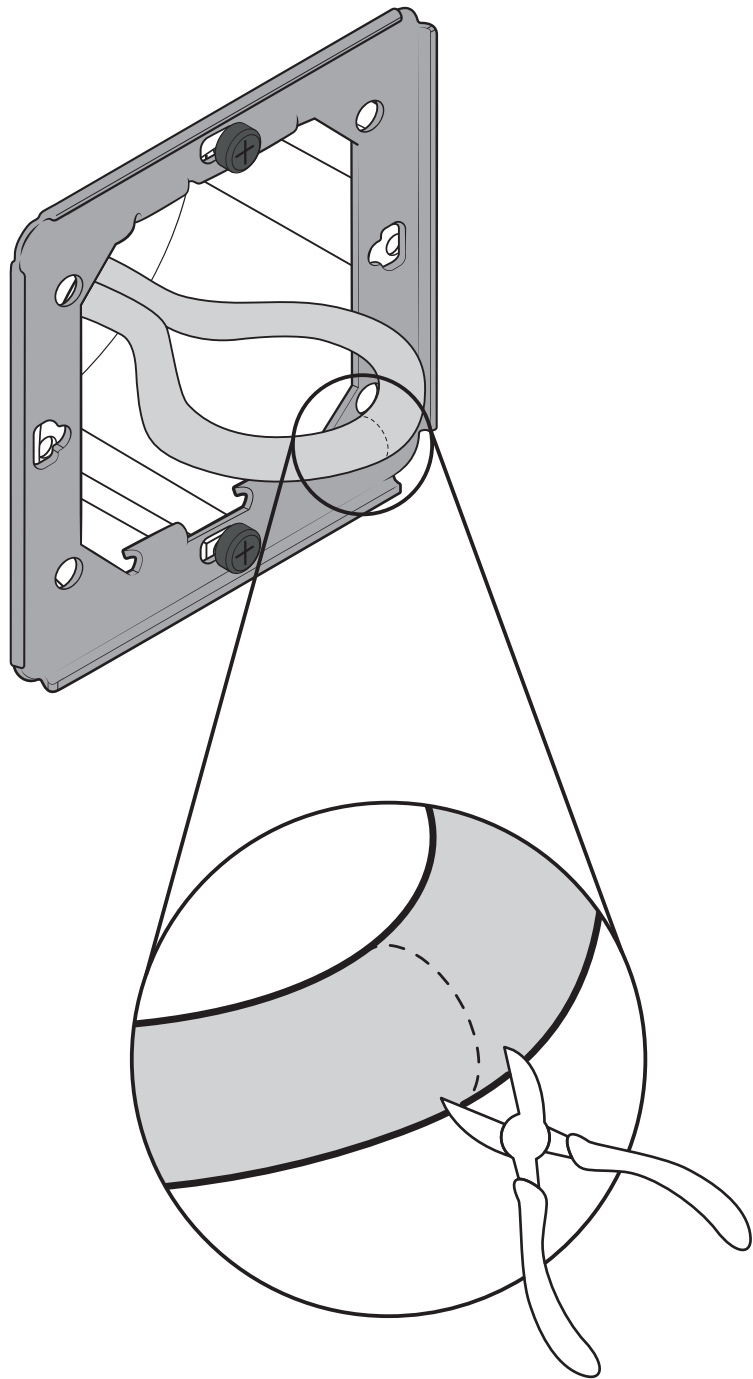
# Manual 24V



Step 1: attach the metal bracket to the wall socket

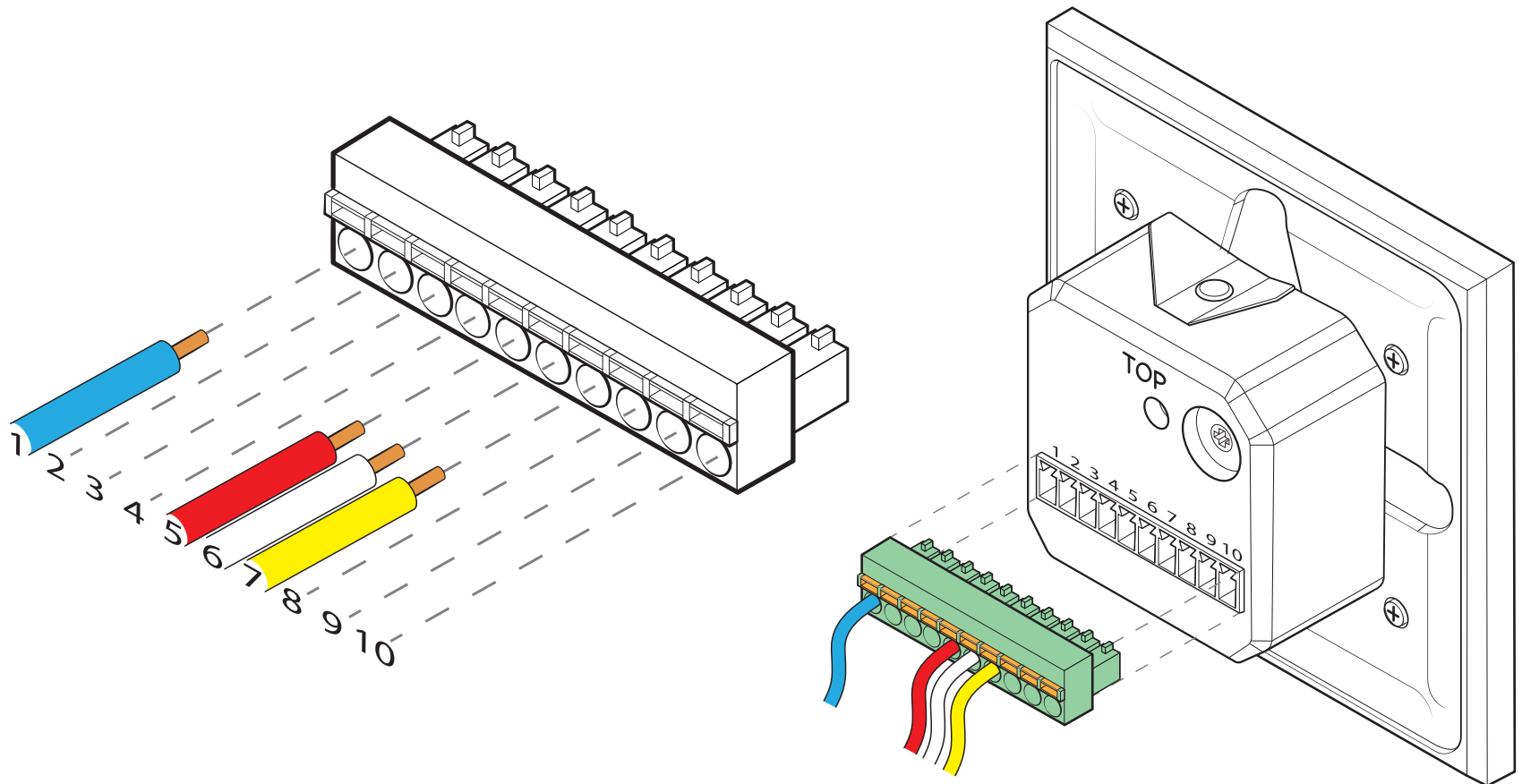


## Step 2: strip the SVV cable

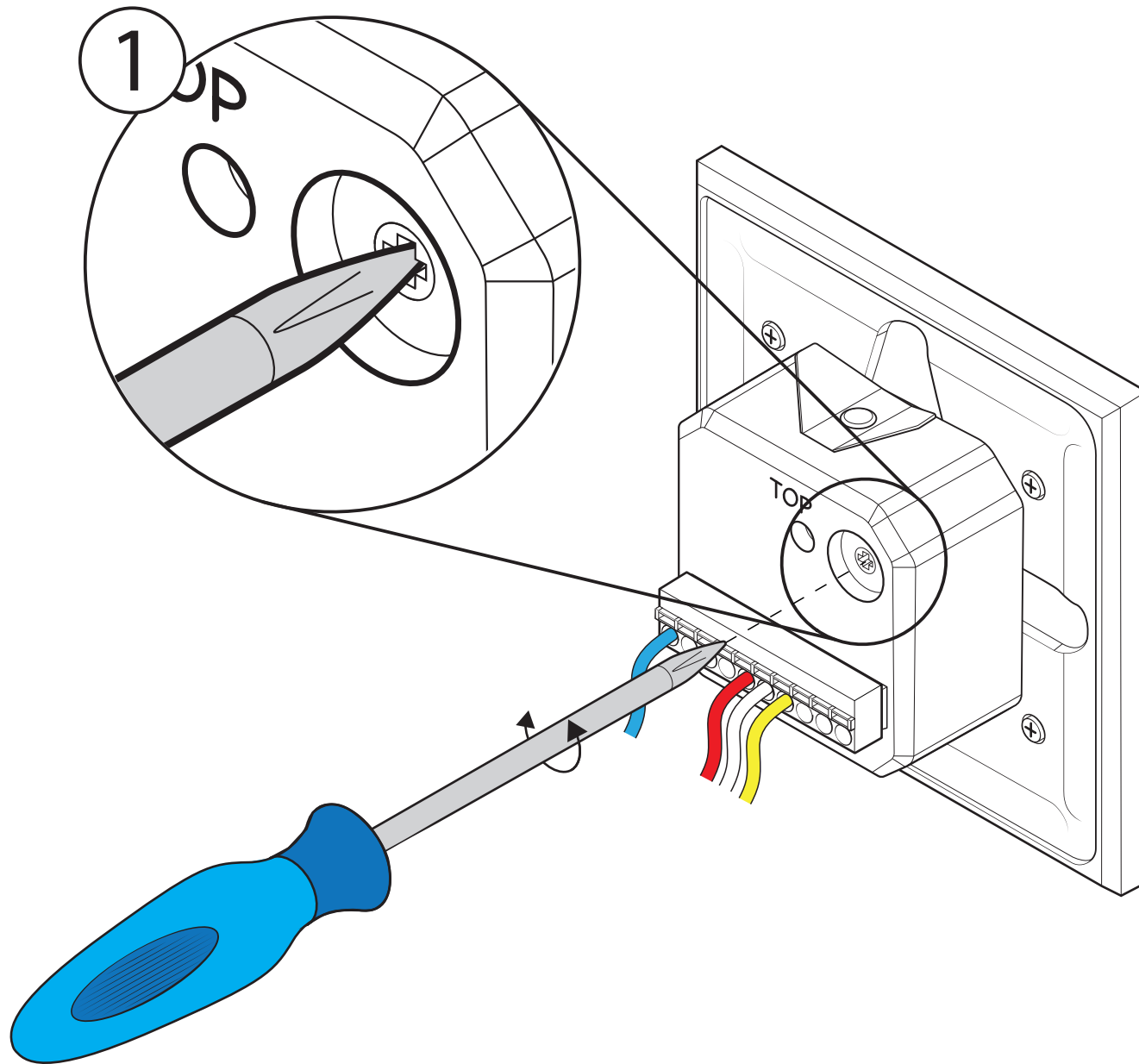


## Step 2: Attach the 24v plug to the switch

1	OUT 1
2	OUT 2
3	OUT 3
4	OUT 4
5	GND/0V
6	POWER +
7	IN 1
8	IN 2
9	IN 3
10	IN 4

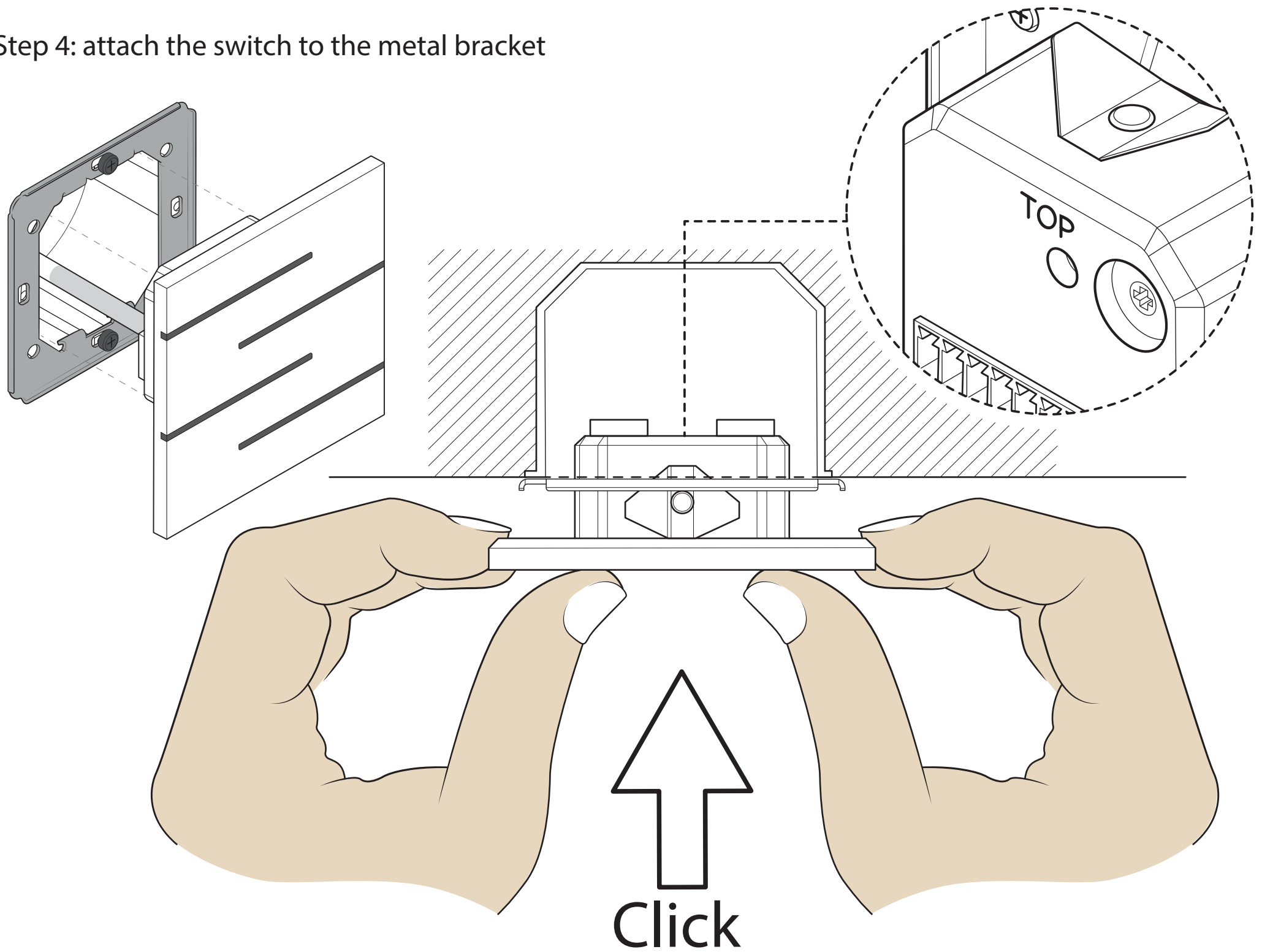


### Step 3: program the switch

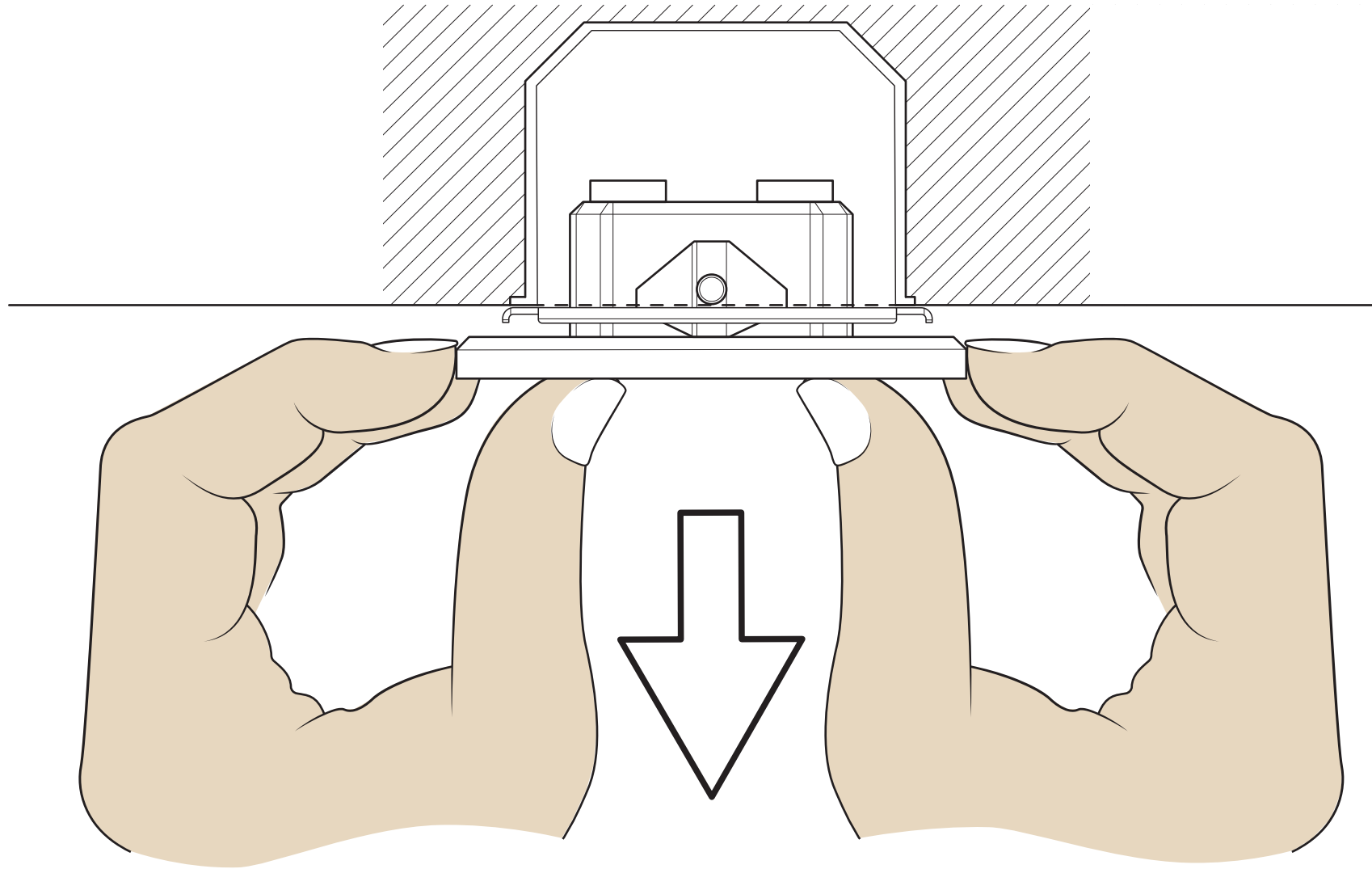


Rotary switch	RGB-leds	Color
0	RGB leds off	
1	Shows the state of the corresponding input: Input on = RGB LED lights up brightly. Input off = RGB led off	Red
2		Green
3		Blue
4		Amber
5		Purple
6		Cyan
7		White
8	Shows the state of the corresponding input: Input on = RGB LED lights up brightly. Input off = RGB LED lights up dimmed	Red
9		Green
A		Blue
B		Amber
C		Purple

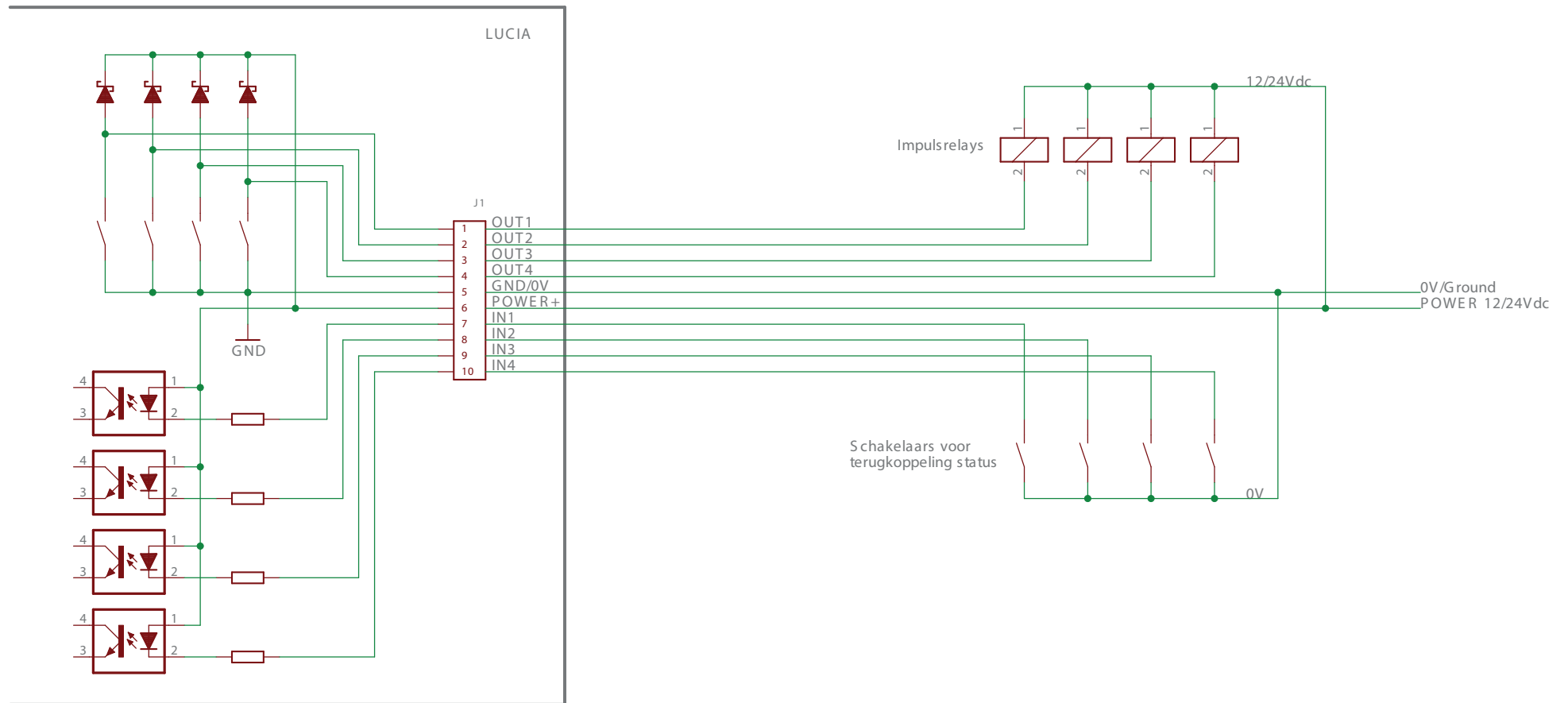
Step 4: attach the switch to the metal bracket



Step 6: remove the switch from the metal bracket



# Attachment 1: LCION wiring diagram



# Attachment 2: LCIOP wiring diagram

