

# theLuxa P300 KNX BK

Item no.: 1019611

Home and Building control  
KNX

## Description

- Motion detector (PIR)
- Automatic lighting control based on presence and brightness
- For integration into KNX building systems
- For outdoor use
- For installation on walls and ceilings
- Integrated temperature sensor
- For larger, commercial outdoors properties such as offices, public buildings, hotels, schools, car parks and warehouses
- Easy to program with KNX ETS software
- Adjustable brightness switching value and switch-off delay
- Sensitivity can be reduced
- Area limit via lens attachment
- Mixed light measurement
- Teach-in of current brightness value possible
- Pulse function
- Test function for checking detection area
- Installation on flush-mounted socket possible (60 mm)
- Single-handed plug-in installation
- Instant start-up possible via factory preset
- Controls are place protected
- Corner angle included
- Spacer and corner angle included



## Technical data

theLuxa P300 KNX BK	
Measuring range brightness	1 – 3000 lx
Detection angle	300°
Creep under protection	Ø 6 m
Installation type	Wall and ceiling installation
Light switch-off delay	1 s - 60 min
Lamps	fluorescent lamps, Incandescent/ halogen lamps, Energy saving lamps, LEDs

theLuxa P300 KNX BK	
Light measurement	Mixed light measurement
Ambient temperature	-25°C ... 45°C
Colour	Black
Protection class	III
Type of protection	IP 55

## Detection range for planning applications

Mounting height (A)	Diagonally (t)	Head on to (R)
2 m	12 m	4 m
2.5 m	16 m	5 m
3 m	16 m	5 m
3.5 m	16 m	5 m
4 m	12 m	4 m

Subject to technical changes and misprints

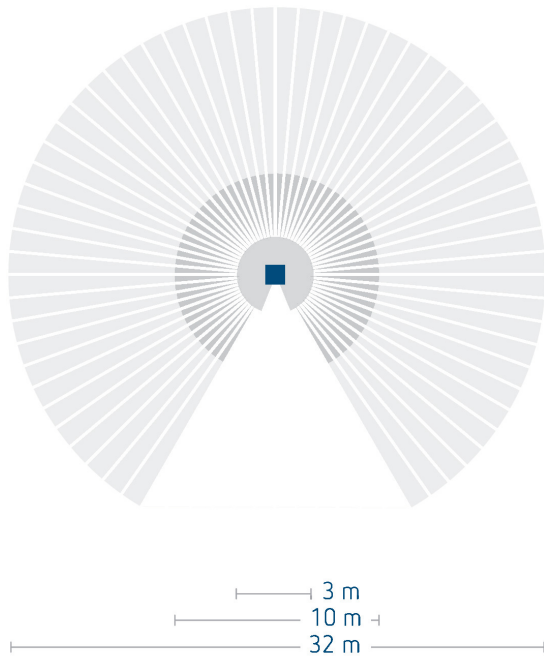
additional information at: [www.theben.de/product/1019611](http://www.theben.de/product/1019611)

The load data are determined with exemplary selected illuminants and are therefore typical data due to the large number of available products.

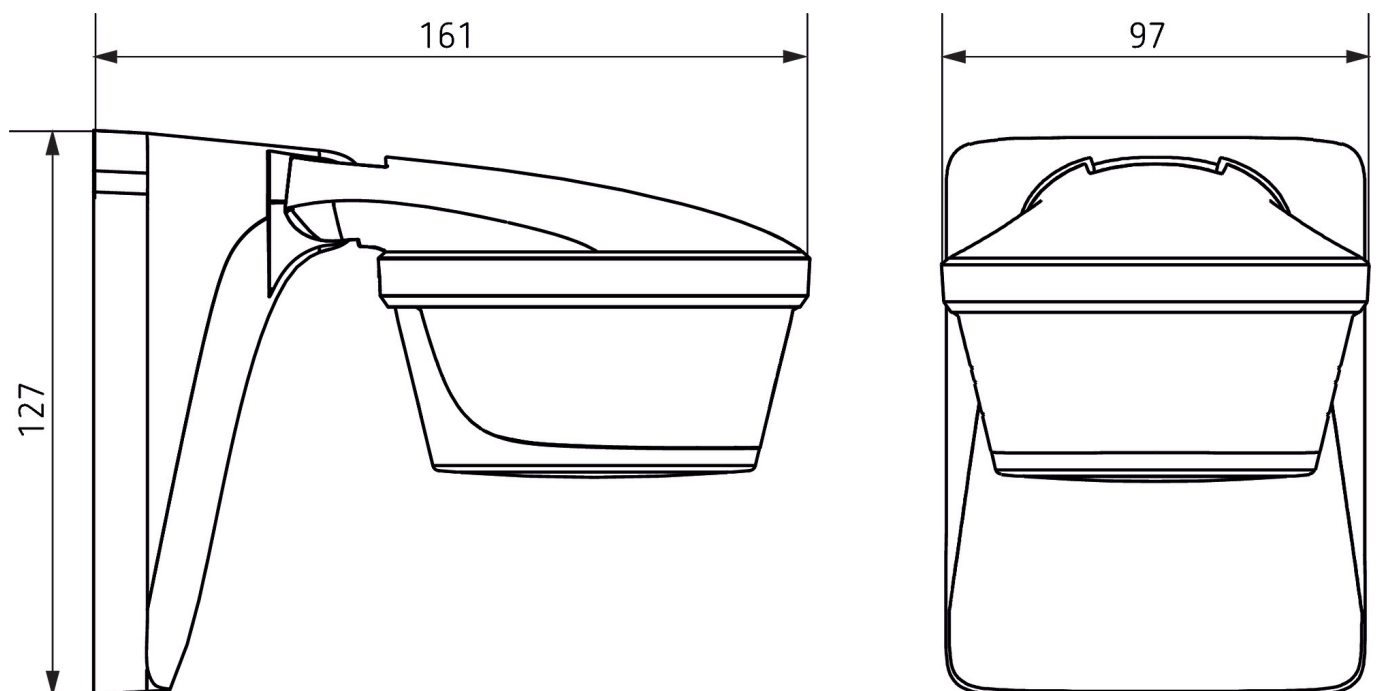
# theLuxa P300 KNX BK

Item no.: 1019611

## Detection range for planning applications



## Scale drawings



Subject to technical changes and misprints

additional information at: [www.theben.de/product/1019611](http://www.theben.de/product/1019611)

The load data are determined with exemplary selected illuminants and are therefore typical data due to the large number of available products.

# theLuxa P300 KNX BK

Item no.: 1019611

## Accessories

### theSenda P

Item no.: 9070910



### theSenda S

Item no.: 9070911



### Corner angle theLuxa P BK

Item no.: 9070905



### Spacer theLuxa P BK

Item no.: 9070909

