

Product data sheet

Specifications



SpaceLogic KNX Switch/Blind Master 8ch 10AX/16AC1

MTN6705-0008

Main

Range of product	SpaceLogic KNX
Product or component type	Combined blind relay
Operating mode	KNX bus system
Bus type	KNX
Rated input	ON/OFF status:

Complementary

Mounting support	DIN rail
[Ue] rated operational voltage	250 V AC 50/60 Hz
[In] rated current	16 A 10 A
Number of outputs	8 4

Environment

IP degree of protection	IP20
-------------------------	------

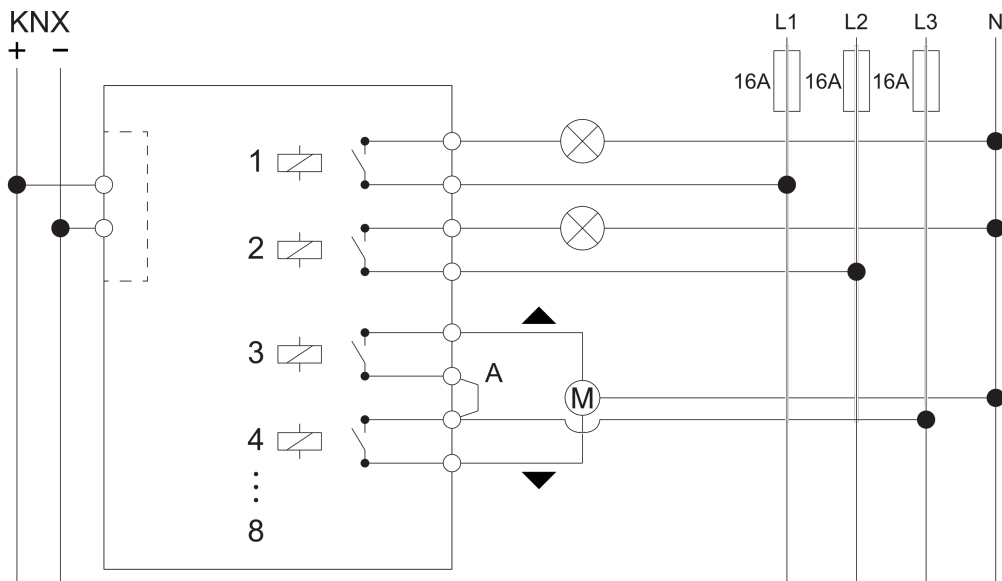
Packing Units

Unit Type of Package 1	PCE
Number of Units in Package 1	1
Package 1 Height	8 cm
Package 1 Width	12.4 cm
Package 1 Length	15.7 cm
Package 1 Weight	380 g
Unit Type of Package 2	S04
Number of Units in Package 2	24
Package 2 Height	30 cm
Package 2 Width	40 cm
Package 2 Length	60 cm
Package 2 Weight	9.904 kg

Offer Sustainability

Sustainable offer status	Green Premium product
REACH Regulation	REACH Declaration
EU RoHS Directive	Compliant EU RoHS Declaration
Mercury free	Yes
China RoHS Regulation	China RoHS declaration Product out of China RoHS scope. Substance declaration for your information
RoHS exemption information	Yes
Environmental Disclosure	Product Environmental Profile
Circularity Profile	End of Life Information

Wiring Diagram



A Load connections

⚡ ⚠ DANGER

HAZARD OF ELECTRIC SHOCK, EXPLOSION OR ARC FLASH

The product must be installed and connected by a qualified electrician.
A qualified electrician must demonstrate an in-depth knowledge of:

- Construction of electrical installations in buildings in accordance with IEC 60364
- Additional safety standards, local connection rules, and building regulations
- Standardized tools and measuring equipment

Failure to follow these instructions will result in death or serious injury.

Recommended replacement(s)