

SU 1 S RF KNX

Item no.: 4941621

Home and Building control
KNX

Description

- Flush-mounted 1-way switching actuator 10 A 130 μ F, KNX RF, Data Secure
- 2 binary inputs for floating contacts such as buttons, switches, temperature sensor (I2)
- Adjustable features: NC/NO contact, switching, delayed switching, pulse function
- Secure communication via KNX-RF with support from KNX Data Secure
- Easy installation due to the compact housing
- 2 binary inputs for floating contacts such as buttons, switches, temperature sensor (I2)
- Integrated temperature monitoring for increased operating safety, e.g. in the event of overload
- The binary inputs are assigned to the output as standard (function test before programming)



Technical data

SU 1 S RF KNX	
Operating voltage KNX	Bus voltage
Operating voltage	230 – 240 V AC 50 – 60 Hz
Frequency	50 – 60 Hz
Installation type	Flush-mounted
Type of connection	Screw terminals
Number of channels	1
Type of contact	10 A
Incandescent/halogen lamp load	1800 W

SU 1 S RF KNX	
Halogen lamp load	1800 W
LED lamp < 2 W	50 W
LED lamp 2-8 W	600 W
LED lamp > 8 W	600 W
Inrush current	max. 740 A / 200 μ s
Type	Base module
Protection class	II

Subject to technical changes and misprints

additional information at: www.theben.de/product/4941621

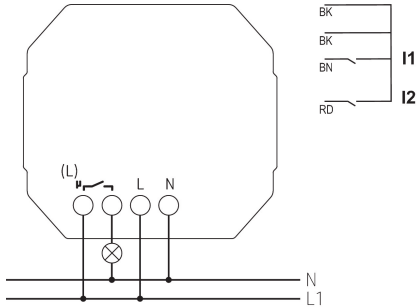
The load data are determined with exemplary selected illuminants and are therefore typical data due to the large number of available products.

SU 1 S RF KNX

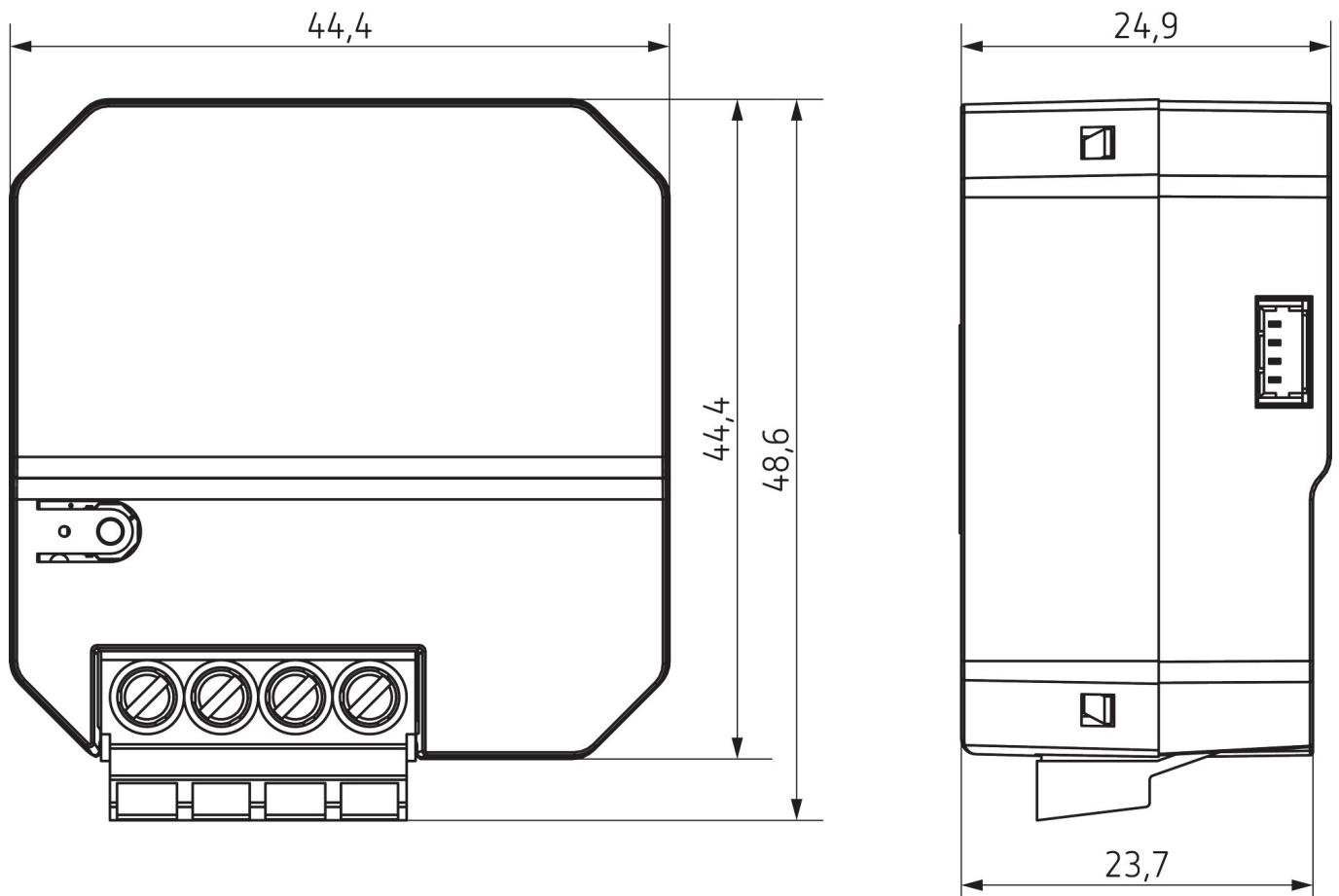
Item no.: 4941621



Connection example



Scale drawings



Subject to technical changes and misprints

additional information at: www.theben.de/product/4941621

The load data are determined with exemplary selected illuminants and are therefore typical data due to the large number of available products.

07/05/2022

Page 2 of 3

SU 1 S RF KNX

Item no.: 4941621



Accessories

Temperature sensor

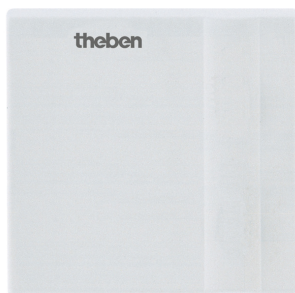
Item no.: 9070321



Temperature sensor RAMSES IP

65

Item no.: 9070459



Flush-mounted temperature

sensor

Item no.: 9070496



Subject to technical changes and misprints

additional information at: www.theben.de/product/4941621

The load data are determined with exemplary selected illuminants and are therefore typical data due to the large number of available products.

07/05/2022

Page 3 of 3